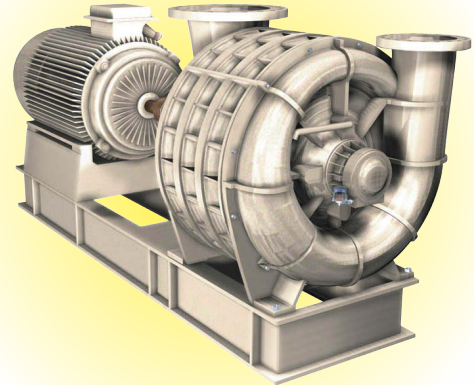


# TECHNICAL DATA SHEET

## TECHNICAL DATA

**Number of stage :** 1 thru 9 (cast) - 1 thru 11 (fabricated)  
**Inlet connection :** 8" (202 mm) flange, PN 10 DN 200  
**Outlet connection :** 8" (202 mm) flange, PN 10 DN 200  
**Operating speed :** 3550 rpm in direct drive (60Hz), 4400 with gear box or V-belt  
**Lubrication :** Oil type with constant level  
**Impeller diameter :** 24" (611 mm)  
**Impeller tip speed :** 372 f/s (113 m/s)  
**First critical speed :** 4275 rpm (8-stage) with cast impeller  
**Drive :** Direct drive or gear box or V-belts  
**Vibration tolerance :** 1.34 mils peak-to-peak (4,5 mm/s RMS)  
**Shaft end :** 2" 3/8 (60 mm ), inlet end drive standard.

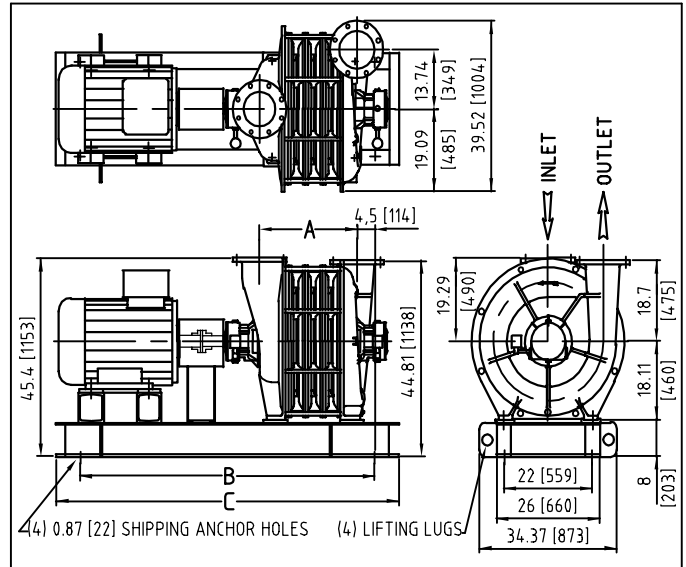
## "77" SERIES



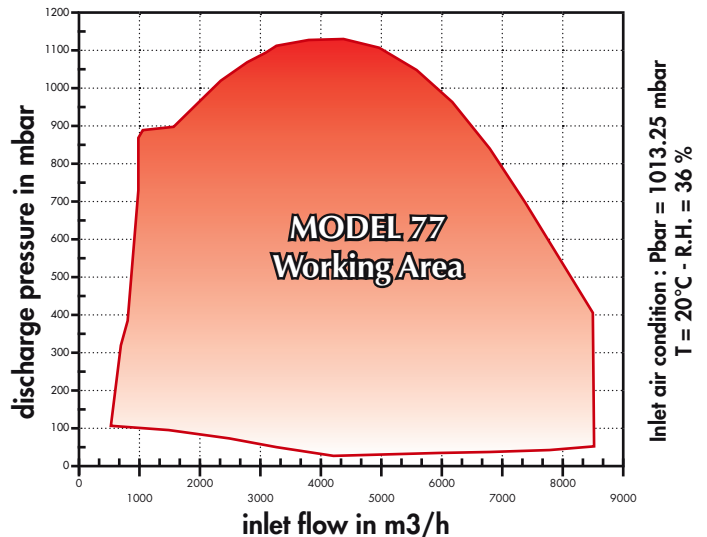
## AIR & GAS

## MATERIALS OF CONSTRUCTION

**Head, Sections, Bearing housings :** Cast iron FGL 250  
**Tie rods :** 13/16" (20 mm) diameter cold drawn steel A60  
**Joint sealing compound :** RTV IS502 Silicone  
**Seals (air) :** Graphit rings each end  
**Seals (gas) :** Four carbon rings each end with inert gas injection  
**Bearings :** Ball bearings 6313 C3 per AFBMA B10 STANDARD  
**Shaft :** Carbon steel C35 (stainless steel available)  
**Impellers :** Cast aluminium Al Si 10 Mg ; fabricated aluminium 5754/6082T6  
**Baffle rings :** Stainless steel  
**Motor pedestal :** UPN roll carbon steel.  
**Base frame installation :** Antivibrations pads



BLOWER SIZE	"A"	"B"	"C"	WEIGHT		Rotor moment of inertia kg.m <sup>2</sup>	
				LBS	Kg	CAST	FABRIC
77.01	11.42 (290)	54 (1372)	66 (1676)	1980	900	0.50	0.16
77.02	15.75 (400)	60 (1524)	72 (1829)	2290	1040	1.00	0.32
77.03	20.08 (510)	66 (1676)	78 (1981)	2600	1180	1.50	0.48
77.04	24.41 (620)	74 (1880)	86 (2184)	2930	1330	2.00	0.64
77.05	28.74 (730)	86 (2184)	98 (2489)	3260	1480	2.49	0.80
77.06	33.07 (840)	90 (2286)	102 (2591)	3550	1610	2.99	0.96
77.07	37.40 (950)	90 (2286)	102 (2591)	3810	1730	3.49	1.12
77.08	41.73 (1060)	102 (2591)	114 (2896)	4140	1880	3.98	1.28
77.09	46.06 (1170)	114 (2896)	126 (3200)	4470	2030	4.48	1.44
77.10	50.39 (1280)	120 (3048)	132 (3352)	4830	2190	-	1.60
77.11	54.72 (1390)	130 (3302)	142 (3607)	5180	2350	-	1.76



DIMENSIONS ARE IN INCHES AND (MM)  
 ACTUAL DIMENSIONS MAY VARY SLIGHTLY TO SUIT APPLICATION

Values, dimensions and reference in this brochure are approximate and intended as a guide only, not for construction and are subject to change without notice.

CONTINENTAL INDUSTRIE SAS . CONTINENTAL INDUSTRIE SAS . CONTINENTAL INDUSTRIE SAS .

