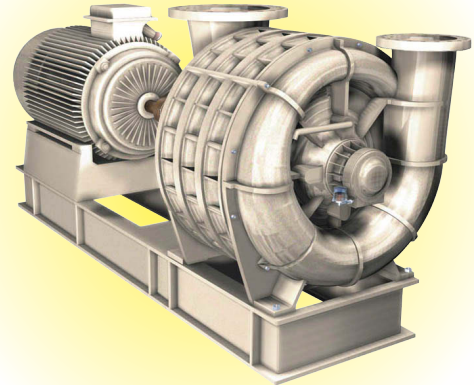


# TECHNICAL DATA SHEET

## TECHNICAL DATA

**Number of stage :** 1 thru 8 (fabricated)  
**Inlet connection :** 14" (355 mm) flange, PN 10 DN 350  
**Outlet connection :** 14" (355 mm) flange, PN 10 DN 350  
**Operating speed :** 3550 rpm in direct drive (60Hz)  
**Lubrication :** Oil type with constant level  
**Impeller diameter :** 26" (662 mm)  
**Impeller tip speed :** 400 fps (122 m / sec)  
**First critical speed :** 4601 rpm (7 stages)  
**Drive :** Direct drive or gear box or V-belts  
**Vibration tolerance :** 1.34 mils peak-to-peak (4,5 mm/s RMS)  
**Balance piston :** From 5 to 8 stages  
**Shaft end :** 2" 9/16 (65 mm), inlet end drive standard

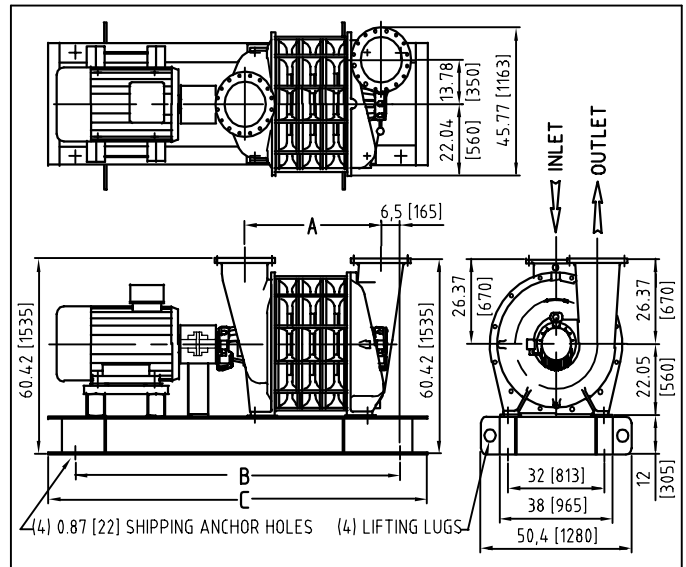
## "251" SERIES



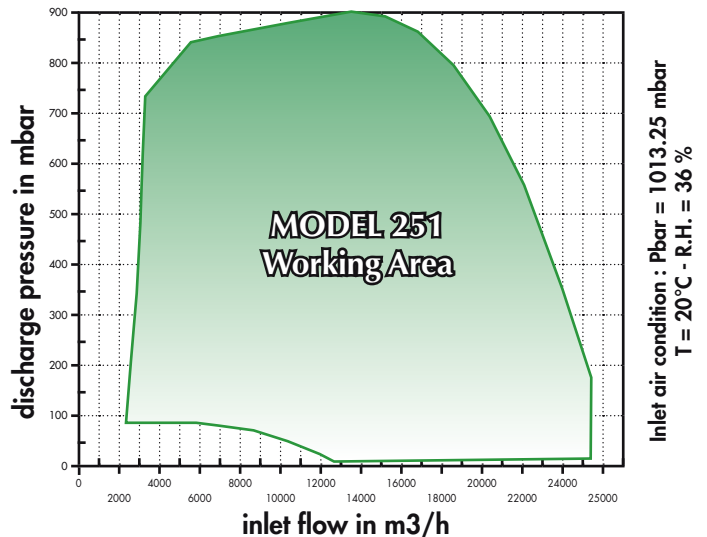
## AIR & GAS

## MATERIALS OF CONSTRUCTION

**Head, Sections, Bearing housings :** Cast iron FGL 250  
**Tie rods :** 13/16" (20 mm) diameter cold drawn steel A60  
**Joint sealing compound :** RTV IS502 Silicone  
**Seals (air) :** Graphit rings each end  
**Seals (gas) :** Four carbon rings each end with inert gas injection  
**Bearings :** Ball bearings 6316 C3 PER AFBMA B10 STANDARD  
**Shaft :** Carbon steel C35 (stainless steel available)  
**Impellers :** Fabricated aluminium 5754/6082T6  
**Baffle rings :** Stainless steel  
**Motor pedestal :** UPN roll carbon steel.  
**Base frame installation :** Anchor bolts or antivibrations pads



BLOWER SIZE	"A"	"B"	"C"	WEIGHT		Rotor moment of inertia kg.m <sup>2</sup>
				LBS	Kg	
251.01	22.00 (559)	102(2591)	120 (3048)	3640	1650	0.37
251.02	29.88 (759)	102 (2591)	120 (3048)	4300	1950	0.73
251.03	37.75 (959)	114 (2896)	132 (3353)	5070	2300	1.09
251.04	45.63 (1159)	126 (3200)	144 (3658)	5840	2650	1.45
251.05	53.50 (1359)	144 (3658)	162 (4115)	6720	3050	1.81
251.06	61.38 (1559)	144 (3658)	162 (4115)	7390	3350	2.17
251.07	69.25 (1759)	154 (3912)	172 (4369)	8270	3750	2.53
251.08	77.12 (1959)	154 (3912)	172 (4369)	8930	4050	2.89



DIMENSIONS ARE IN INCHES AND (MM)  
 ACTUAL DIMENSIONS MAY VARY SLIGHTLY TO SUIT APPLICATION

Values, dimensions and reference in this brochure are approximate and intended as a guide only, not for construction and are subject to change without notice.

CONTINENTAL INDUSTRIE SAS . CONTINENTAL INDUSTRIE SAS . CONTINENTAL INDUSTRIE SAS .

