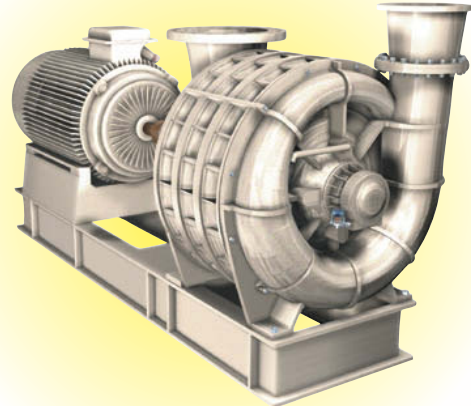


TECHNICAL DATA SHEET

TECHNICAL DATA

Number of stage : 1 thru 6 (fabricated)
Inlet connection : 24" (612 mm) flange, PN 10 DN 600
Outlet connection : 20" (511 mm) flange, PN 10 DN 500 or 18" (460 mm) flange, PN 10 DN 450
Operating speed : 3550 rpm in direct drive (60Hz)
Lubrication : Oil type with constant level
Impeller diameter : From 35" (890 mm) to 36" (915mm)
Impeller tip speed : 562 fps (172 m/sec)
First critical speed : 3725 rpm (6 stages)
Drive : Direct drive or gear box
Vibration tolerance : 1.34 mils peak-to-peak (4,5 mm/s RMS)
Balance piston : On all stages with pipes connection
Shaft end : 3" 3/4 (95 mm), inlet end drive standard

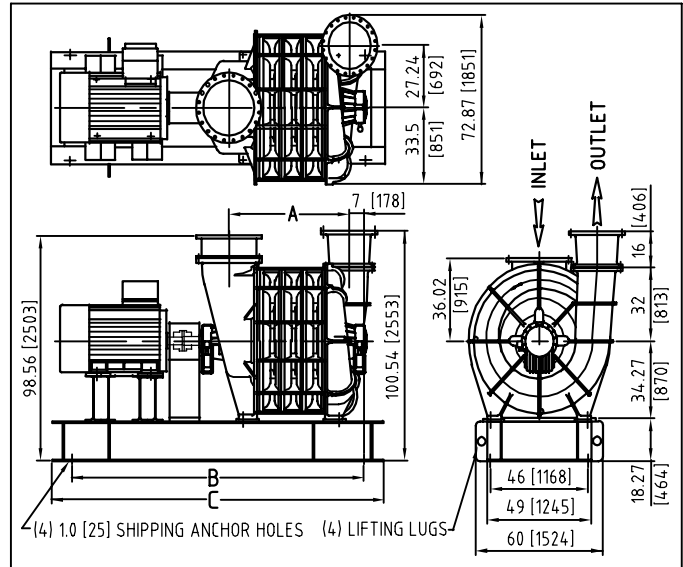
"600" SERIES



AIR & GAS

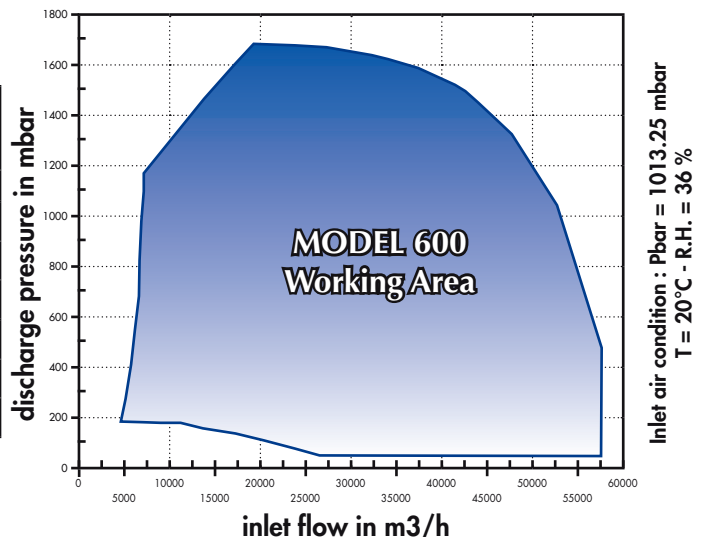
MATERIALS OF CONSTRUCTION

Head, Sections, Bearing housings : Cast iron FGL 250
Tie rods : 7/8" (22 mm) diameter cold drawn steel A60
Joint sealing compound : RTV IS502 Silicone
Seals (air) : Two carbon rings each end
Seals (gas) : Four carbon rings each end with inert gas injection
Bearings : Ball bearings 6320 C3 per AFBMA B10 STANDARD
Shaft : Carbon steel 42 Cr Mo 4 (stainless steel available)
Impellers : Fabricated aluminium 6061/6082T6
Baffle rings : Stainless steel
Motor pedestal : UPN roll carbon steel.
Base frame installation : Anchor bolts or anti-vibration pads.



BLOWER SIZE	"A"	"B"	"C"	WEIGHT		Rotor moment of inertia kg.m ²	
				LBS	Kg	Impeller Diameter	
						35" (890 mm)	36" (915mm)
600.01	26.77 (680)	126 (3200)	144 (3658)	8600	3900	3.36	3.53
600.02	36.85 (936)	138 (3505)	156 (3962)	10580	4800	5.74	6.07
600.03	46.93 (1192)	162 (4115)	180 (4572)	12780	5800	8.11	8.61
600.04	57.00 (1448)	162 (4115)	180 (4572)	14770	6700	10.48	11.14
600.05	67.08 (1704)	186 (4724)	204 (5182)	16970	7700	12.86	13.68
600.06	77.16 (1960)	186 (4724)	204 (5182)	18950	8600	15.23	16.22

DIMENSIONS ARE IN INCHES AND (MM)
 ACTUAL DIMENSIONS MAY VARY SLIGHTLY TO SUIT APPLICATION



Values, dimensions and reference in this brochure are approximate and intended as a guide only, not for construction and are subject to change without notice.

CONTINENTAL INDUSTRIE SAS . CONTINENTAL INDUSTRIE SAS . CONTINENTAL INDUSTRIE SAS .

